

6

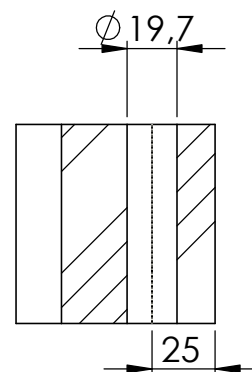
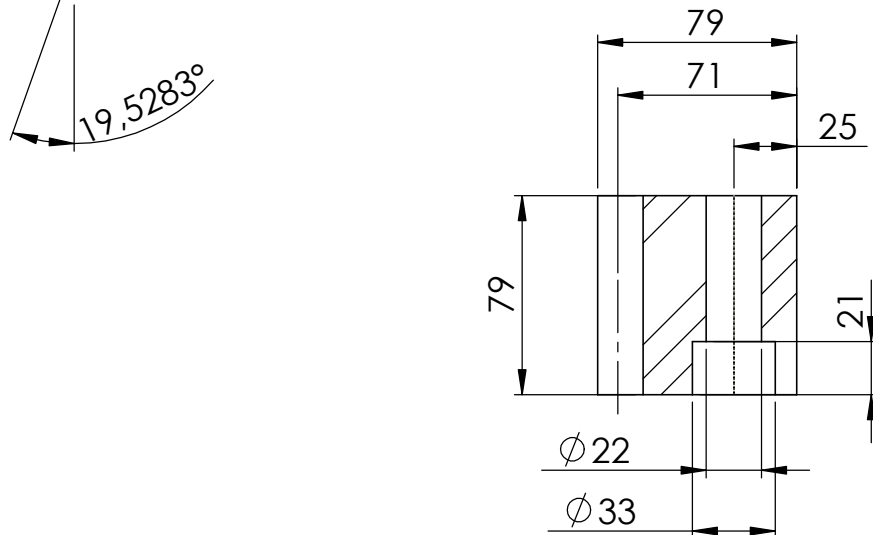
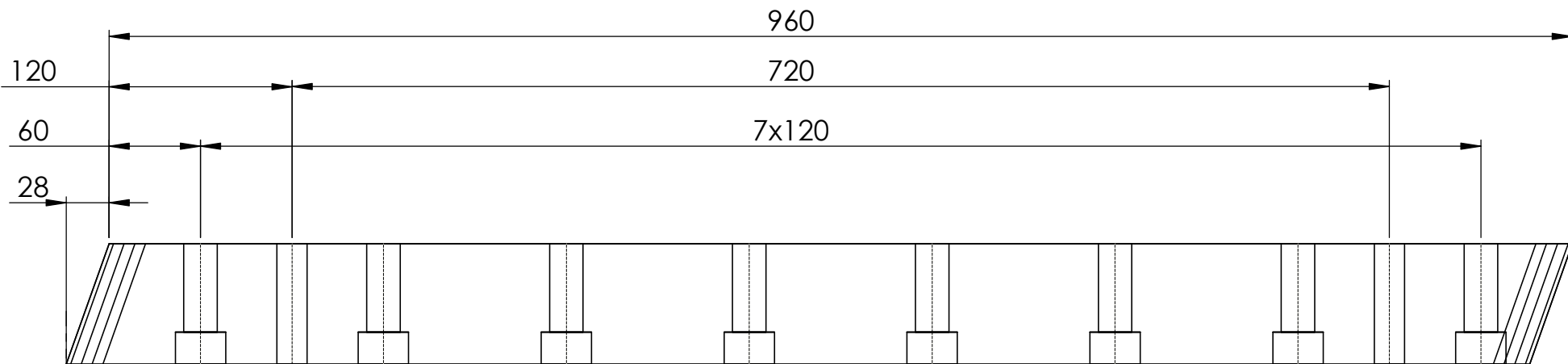
5

4


3

2

1



Module : 8
 Helix angle (right hand) : $19^\circ 31' 42''$
 Tooth hardness : 50-55 HRC
 Material : 40Cr
 Teeth ground to DIN 6 precision class

Matériau:	40Cr	Masse:	
TITRE:	Helical Rack M8-L1000-DIN6		
 RECKON <small>Innovation needs performance</small>	No. DE PLAN	Echelle	
	M8-HBI6-1000-H1	1:4	
			A4
FEUILLE 1 SUR 1			

6

5

4

3

2

1