

6

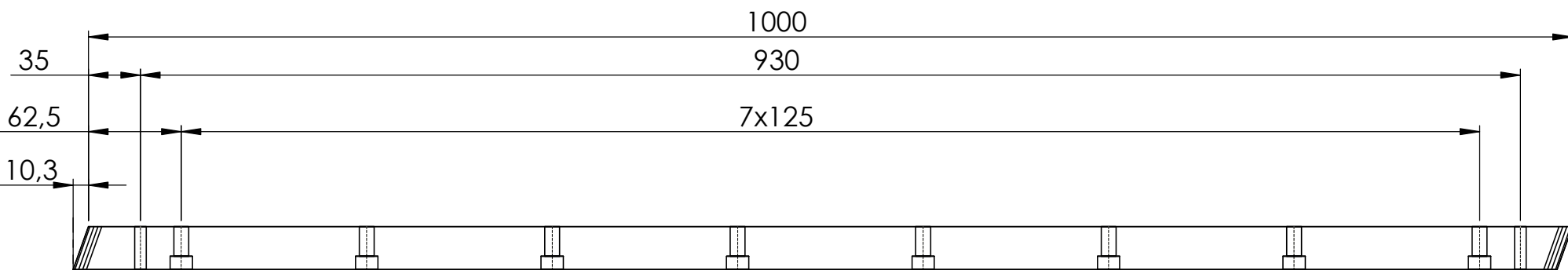
5

4

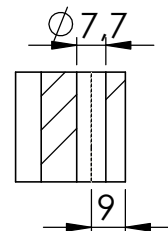
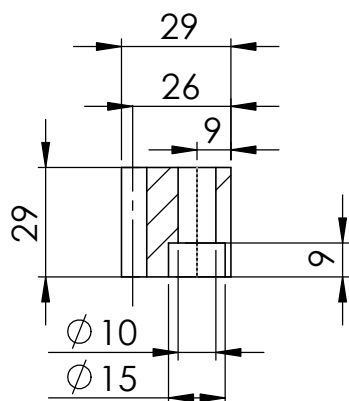
3

2


1



19,5283°



Module : 3  
 Helix angle (right hand) :  $19^{\circ}31'42''$   
 Tooth hardness : 50-55 HRC  
 Material : 40Cr  
 Teeth ground to DIN 6 precision class

Matériau: 40Cr	Masse:	
TITRE: Helical Rack M3-L1000-DIN6		
 <b>RECKON</b> <small>Innovation needs performance</small>	No. DE PLAN M3-HBI6-1000-H1	Echelle 1:4 A4
	FEUILLE 1 SUR 1	

6

5

4

3

2

1