

6

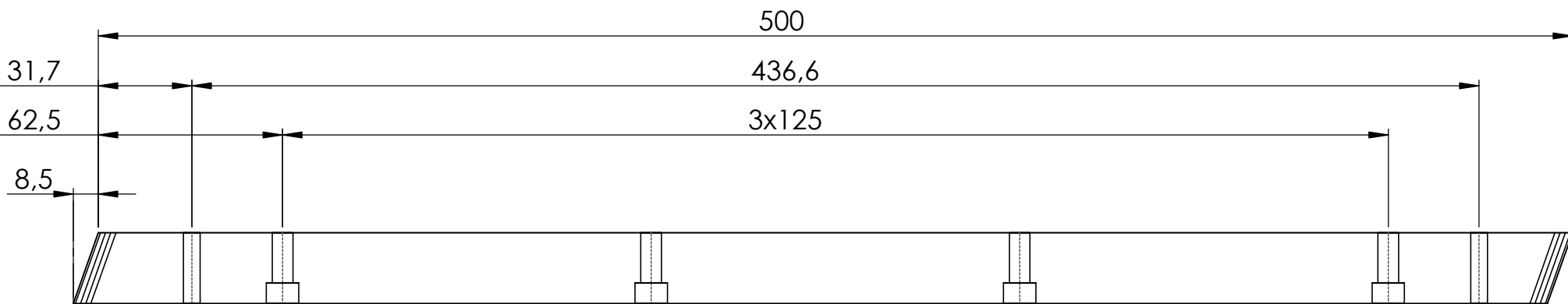
5

4

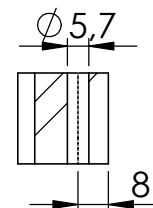
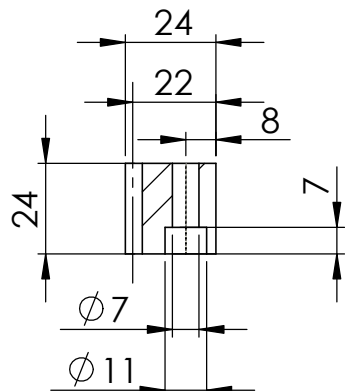
3

2


1



19,5283°



Module : 2  
Helix angle (right hand) :  $19^{\circ}31'42''$   
Tooth hardness : 50-55 HRC  
Material : 40Cr  
Teeth ground to DIN 6 precision class

Matériau: 40Cr	Masse:	
TITRE: Helical Rack M2-L500-DIN6		
 Innovation needs performance	No. DE PLAN	Echelle
	M2-HBI6-500-H1	1:2
		A4
FEUILLE 1 SUR 1		

6

5

4

3

2

1